



FS-N14P

Fibre Amplifier, Cable Type, Expansion Unit, PNP



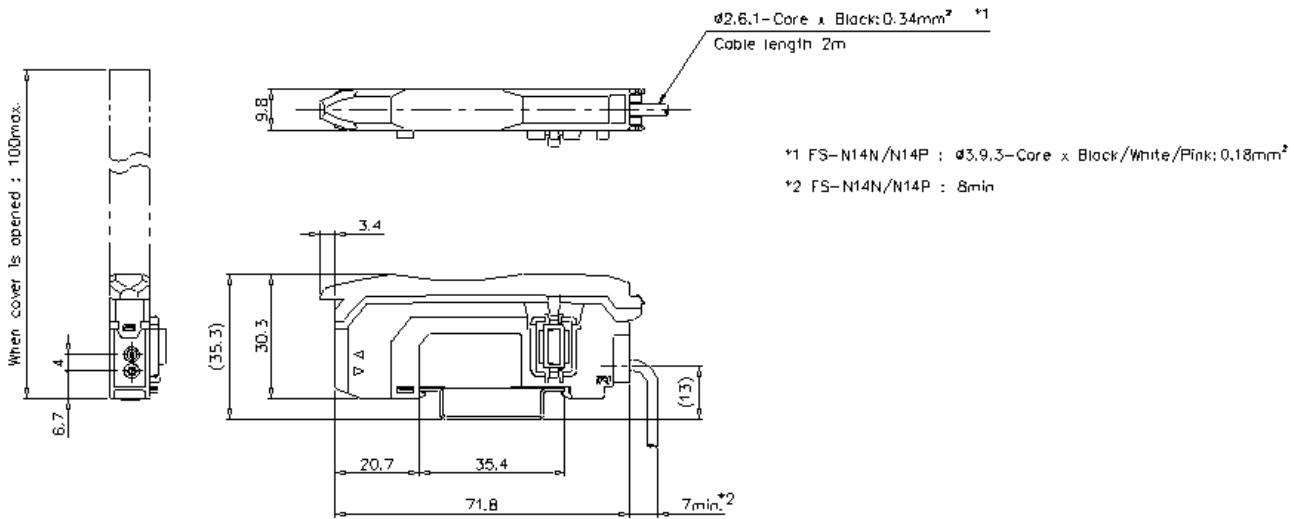
SPECIFICATIONS

Model	FS-N14P	
Type	High functionality 2 output Cable	
Output	PNP	
Main unit/Expansion unit	Expansion unit	
Control output	2 PNP open collector 24 V; 1 output max: 100 mA or less; 2 output total: 100 mA or less (used stand-alone)/20 mA or less (multiple connections); residual voltage 1 V or less	
External input	1 Input time 2 ms (ON)/20 ms (OFF) or more (25 ms or more (ON/OFF) when external calibration is selected.)	
Response time	50 μ s (HIGH SPEED) /250 μ s (FINE) /500 μ s (TURBO) /1 ms (SUPER) /4 ms (ULTRA) /16 ms (MEGA)	
Multiple connections to Expansion units	Up to 16 units can be connected total (two output type is treated as two units)	
Light source	Red, 4-element LED	
APC	ON/OFF switchable (Factory setting: OFF)	
Number of interference prevention units	0 for HIGH SPEED; 4 for FINE; 8 for TURBO/SUPER/ULTRA/MEGA (When set to double, the number of interference-prevention units will be doubled.)	
Rating	Power voltage	12 to 24 VDC \pm 10 %, Ripple (P-P) 10 % or less
	Current Consumption	Normal: 1050 mW or less (42 mA max. at 24 V, 56 mA max. at 12 V) ^{*1} Eco on mode: 950 mW or less (38 mA max. at 24 V, 47 mA max. at 12 V) ^{*1} Eco Full mode: 600 mW or less (24 mA max. at 24 V, 29 mA max. at 12 V)
Environmental resistance	Ambient light	Incandescent lamp: 20,000 lux or less, Sunlight: 30,000 lux or less
	Ambient temperature	-20 to +55 °C (No freezing) ^{*2}
	Relative humidity	35 to 85 % RH (No condensation)
	Vibration resistance	10 to 55 Hz, Double amplitude 1.5 mm, 2 hours in each of the X, Y, and Z directions
	Shock resistance	500 m/s ² , 3 times in each of the X, Y, and Z directions
Case material	Both main unit and expansion unit housing material: Polycarbonate	
Weight	Approx. 70 g	
^{*1} Increases 100 mW (4.0 mA) for High Speed mode ^{*2} One or two more units connected: -20 to +55 °C; 3 to 10 more units connected: -20 to +50 °C; 11 to 16 more units connected: -20 to +45 °C. When using 2-outputs, one unit is counted as two units. All temperature regulations are for when the unit is mounted on a DIN rail and installed on metal sheeting.		

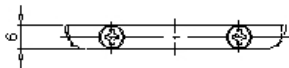
Dimensions

* Download CAD file or product manual for larger image/text and more detail.

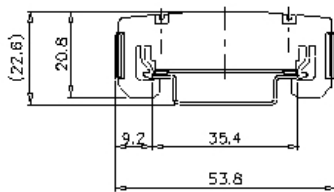
FS-N12N/N12P/N14N/N14P



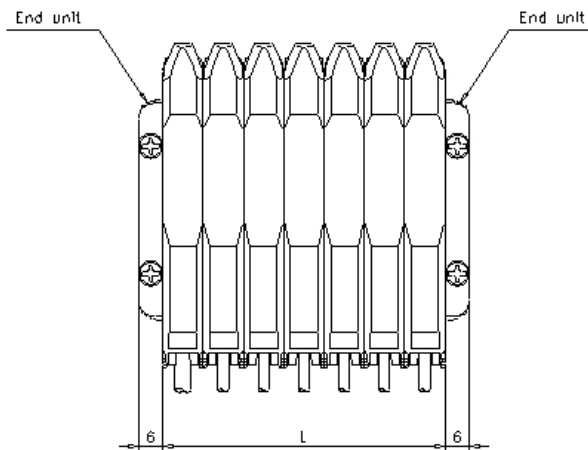
End unit
OP-26751 (Option)



DIN-rail mounting



When several units are connected

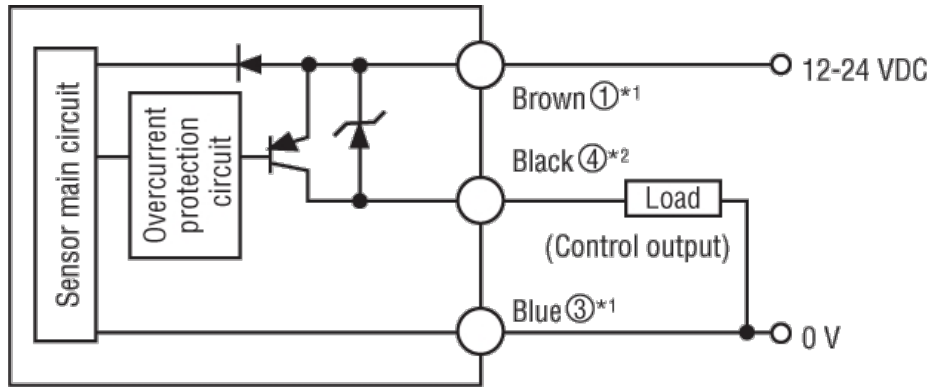


No. of units	L(mm)
1	9.8
2	19.6
3	29.4
4	39.2
5	49.0
6	58.8
7	68.6
8	78.4
9	88.2
10	98.0
11	107.8
12	117.6
13	127.4
14	137.2
15	147.0
16	156.8
17	166.6

I/O Circuit Connection diagram

* Download CAD file or product manual for larger image/text and more detail.

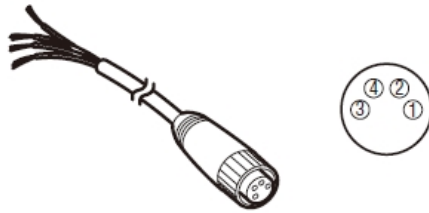
Output Circuit Diagram



*1 FS-N11P/N13P/N13CP only

*2 The FS-N13P/N14P has a white cable as separate output The FS-N13CP/N14CP has pin 2 as separate output 2.

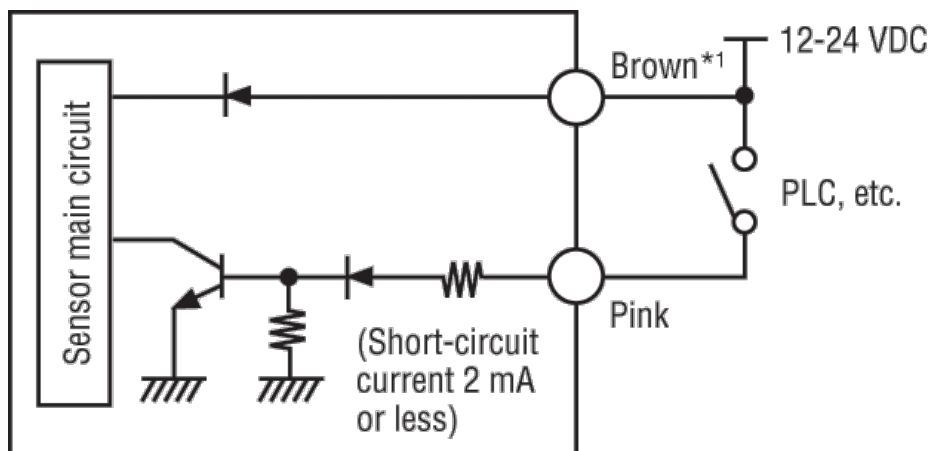
Output Circuit Diagram



*1 FS-N11P/N13P/N13CP only

*2 The FS-N13P/N14P has a white cable as separate output The FS-N13CP/N14CP has pin 2 as separate output 2.

Input Circuit Diagram (FS-N13P/N14P only)



*1 FS-N11P/N13P/N13CP only

*2 The FS-N13P/N14P has a white cable as separate output The FS-N13CP/N14CP has pin 2 as separate output 2.