



GV-22

Amplifier Unit, Expansion Unit, NPN



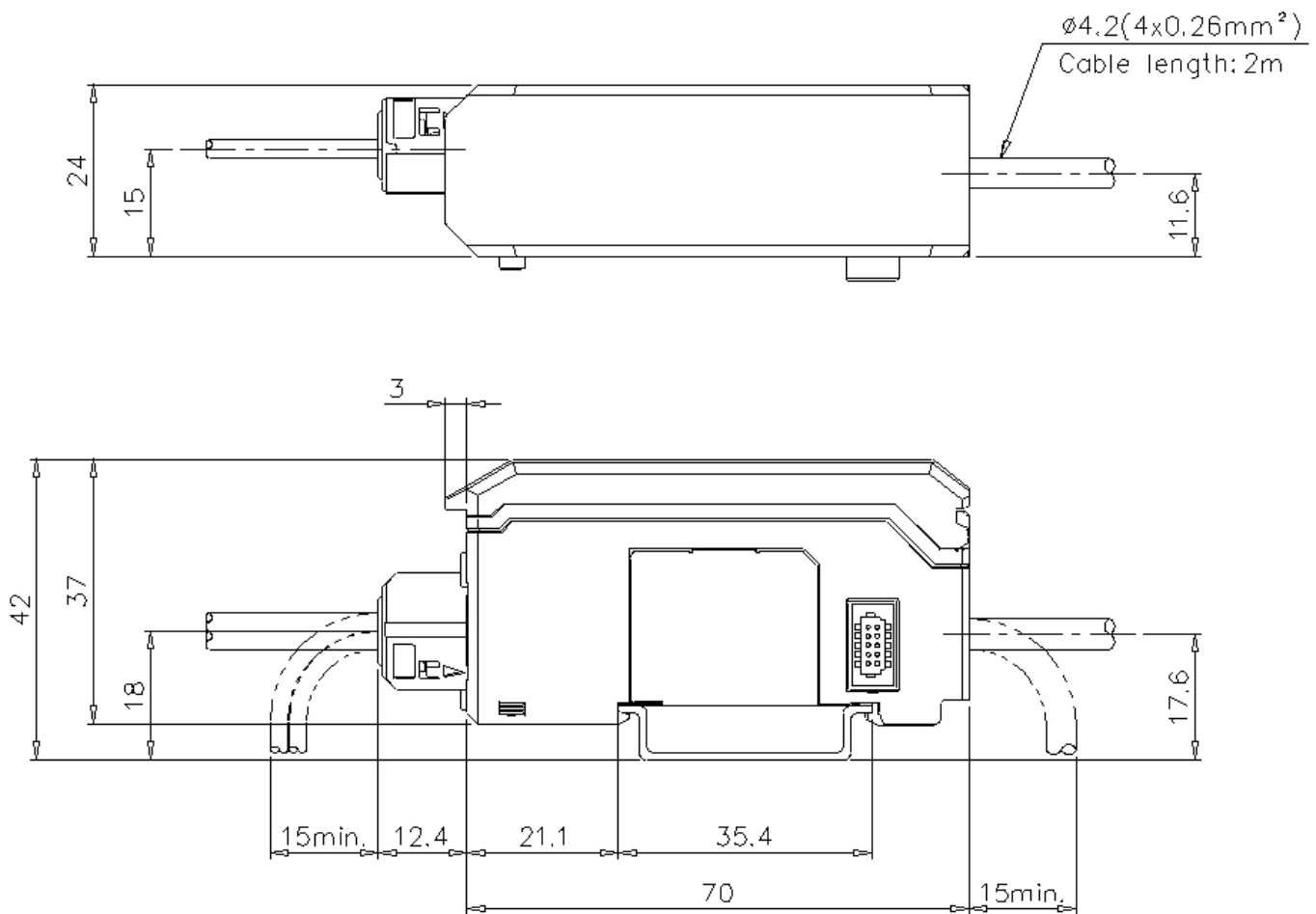
SPECIFICATIONS

Model	GV-22	
Type	Amplifier Unit, Expansion Unit	
Power consumption	Normal	2200 mW max. (at 30 V: 73.3 mA max.)
	Eco-Half	1700 mW max. (at 30 V: 56.7 mA max.)
	Eco-All	1600 mW max. (at 30 V: 53.3 mA max.)
Display indicator	Dual 7-segment display (Current Value: 3-digit red LED indicator, Preset Value: 3-digit green LED indicator) + 2-colour 13-level Bar LED (Red, Green)	
Operation status indicators	Control output: Red LED x 2 Channel display: Green LED x 2 Laser radiation emission indicator Green LED Other: Green LED x 2/Red LED x 3	
Output	NPN	
Control output	NPN open collector x 2ch, 40 V DC max./Max. 100 mA, residual voltage 1 V max.	
Control input	Emission stop input, Bank switching input, Shift input, Timing input, Each input response time: 20 ms	
Response time	1.5/3/10/20/50 ms	
Rating	Power voltage	10 to 30 VDC, including Ripple (P-P) 10 %, Class 2 ^{*1}
Environmental resistance	Ambient temperature	-10 to +55 °C (No freezing)
	Relative humidity	35 to 85 % RH (No condensation)
	Vibration resistance	10 to 55 Hz, Double amplitude 1.5 mm, 2 hours in each of the X, Y, and Z axis
Material	Housing material, display cover: Polycarbonate, Key Top: Polyacetal, Cable: PVC	
Weight	Approx. 110 g	
*1 If expansion units are added, supply voltage must be 11 to 30 VDC.		

Dimensions

* Download CAD file or product manual for larger image/text and more detail.

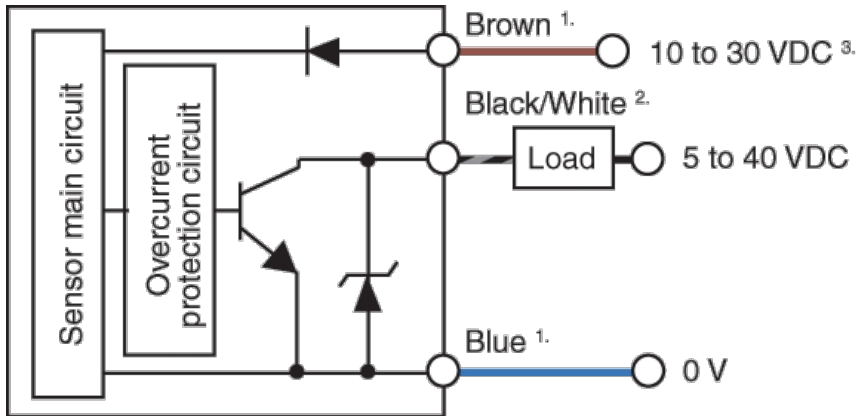
GV-22/22P



I/O Circuit Connection diagram

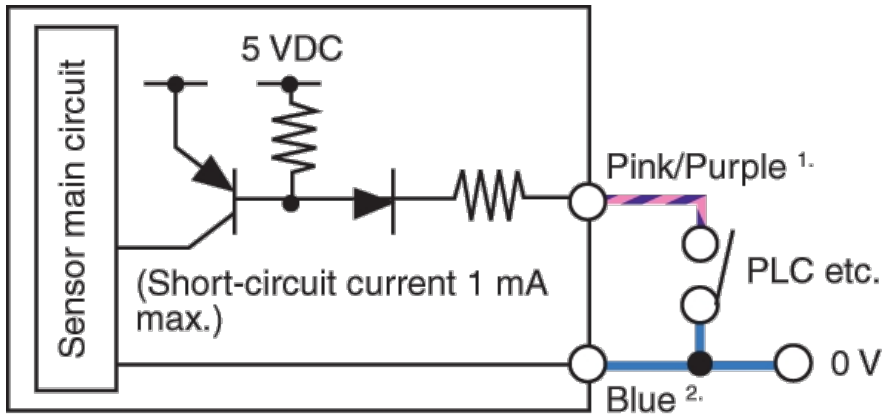
* Download CAD file or product manual for larger image/text and more detail.

Output circuit
NPN



1. GV-22 and GV-22P do not have brown/blue wires. The internal structure of the power supply line is the same as GV-21.
2. Black: Control output 1/White: Control output 2
3. If expansion units are added, supply voltage must be 11 to 30 VDC.

Input circuit
Emission stop input, Bank switching input, Shift input, Timing input
NPN



1. Pink: Bank switching input/Shift input/Timing input, Purple: Emission stop input
2. GV-22 and GV-22P do not have brown/blue wires. The internal structure of the power supply line is the same as GV-21.