



Photoelectric sensors

VT12T-2P430



Nazwa modelu > **VT12T-2P430**

Numer cz ci > **6026216**



### At a glance

- Scanning distance up to 115 mm or 340 mm (90 % remission)
- Manual sensitivity control via teach-in on sensor or electronically via external control input
- Light switching or dark switching adjustable at control input
- Operating reserve display
- Standardized M12 miniature housing and connection system due to M12 device connector, 4-pin or 2 m connection line

### Your benefits

- Ideal for standard applications for detection and positioning of objects by direct scanning without a reflector
- Versatile usage and reliable solution due to two scanning distances of 100 mm and 300 mm (90% remission in each case)
- Flexible project management and commissioning due to sensitivity control either manually via teach-in on the sensor or electronically at the external control input
- Easy and optimal adjustment to scanning task due to two optional teach modes: mode 1 for precise switching, mode 2 for a large reserve.
- Space-saving assembly due to M12 miniature housing with cable or M12 device connector
- Robust and reliable in case of mechanical stress due to sealed metal housing and IP 67 enclosure rating



### !Features!

Maks. strefa działania:	0 mm ... 340 mm <sup>1)</sup>
Sensing range:	2 mm ... 300 mm
Nadajnik światła:	LED <sup>2)</sup>
Rodzaj światła:	Światło podczerwone
Długość fali:	880 nm
Light spot diameter (distance):	28 mm (300 mm)
Stopień ochrony:	IP 67
Nastawa:	adjustable
Nastawienie czułości:	adjustable
Długość obudowy:	65,5 mm
Thread diameter (housing):	M12 x 1

<sup>1)</sup> Obiekt odbijający 90% światła (standardowy biały zgodnie z norma DIN 5033) <sup>2)</sup> Average service life of 100,000 h at T<sub>A</sub> = +25 °C

## !Mechanics/electronics!

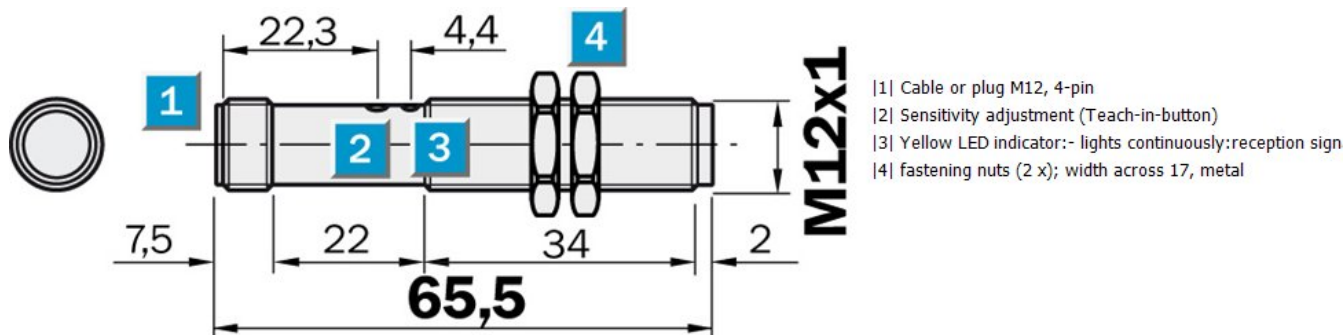
Napięcie zasilania:	10 V DC ... 30 <sup>1)</sup>
Tętnienia resztkowe:	≤ 10 % <sup>2)</sup>
Pobór mocy:	20 <sup>3)</sup>
Wyjście przełączające:	PNP, przełączanie jasno/ciemno, wybierane
Output current I <sub>max</sub> ·:	100 <sup>4)</sup>
Czas reakcji:	≤ 1,25 ms <sup>5)</sup>
Switching frequency:	400 with light/dark ratio 1:1
Typ podłączenia:	Connector M12, 4-pin
Ilość żył:	4
Klasa ochronności:	III
Układ zabezpieczenia:::	A B C <sup>6) 7) 8) 9)</sup> D
Ciężar:	18 g
Tworzywo, obudowa:	Messing vernickelt/PA
Tworzywo, układ optyczny:	PMMA
Kąt promieniowania:	5,3 °

1) Limit values 2) 3) Bez obciążenia 4) Without load 5) Signal transit time with resistive load 6) A = VS connections reverse-polarity protected 7) B = inputs and output reverse-polarity protected 8) C = interference suppression 9) D = outputs overcurrent and short-circuit protected

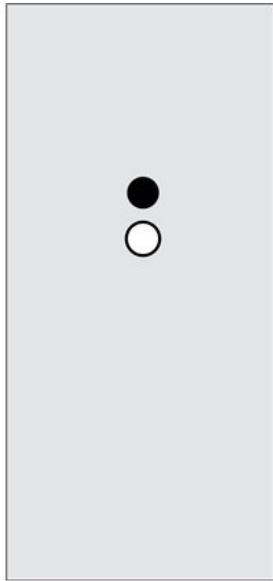
## !Ambient data!

Ambient temperature, operation:	-25 ... 70 °C
Ambient temperature, storage:	-25 ... 70 °C

## Rysunek techniczny



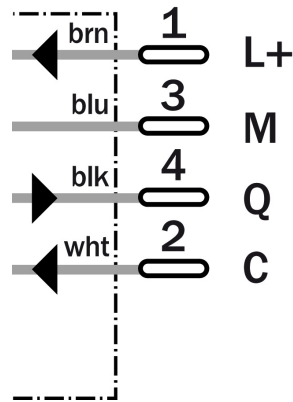
Możliwość dostosowania



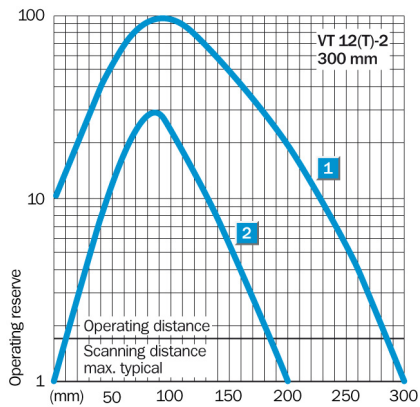
Typ połączenia



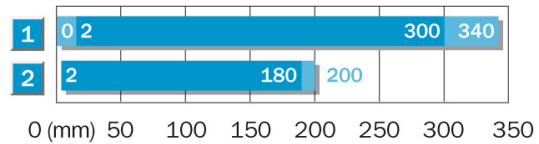
Schemat połączenia



Krzywa charakterystyki



Schemat zakresu pracy



■ Betriebstastweite    ■ typ. max. Tastweite

- 1 Tastbereich auf Weiß, 90 % Remission
- 2 Tastbereich auf Grau, 18 % Remission

**Australia**

Phone +61 3 9497 4100  
1800 33 48 02 – tollfree  
E-Mail sales@sick.com.au

**Belgium/Luxembourg**

Phone +32 (0)2 466 55 66  
E-Mail info@sick.be

**Brasil**

Phone +55 11 3215-4900  
E-Mail sac@sick.com.br

**Ceská Republika**

Phone +420 2 57 91 18 50  
E-Mail sick@sick.cz

**China**

Phone +852-2763 6966  
E-Mail ghk@sick.com.hk

**Danmark**

Phone +45 45 82 64 00  
E-Mail sick@sick.dk

**Deutschland**

Phone +49 211 5301-301  
E-Mail kundenservice@sick.de

**España**

Phone +34 93 480 31 00  
E-Mail info@sick.es

**France**

Phone +33 1 64 62 35 00  
E-Mail info@sick.fr

**Great Britain**

Phone +44 (0)1727 831121  
E-Mail info@sick.co.uk

**India**

Phone +91-22-4033 8333  
E-Mail info@sick-india.com

**Israel**

Phone +972-4-999-0590  
E-Mail info@sick-sensors.com

**Italia**

Phone +39 02 27 43 41  
E-Mail info@sick.it

**Japan**

Phone +81 (0)3 3358 1341  
E-Mail support@sick.jp

**Nederlands**

Phone +31 (0)30 229 25 44  
E-Mail info@sick.nl

**Norge**

Phone +47 67 81 50 00  
E-Mail austefjord@sick.no

**Österreich**

Phone +43 (0)22 36 62 28 8-0  
E-Mail office@sick.at

**Polska**

Phone +48 22 837 40 50  
E-Mail info@sick.pl

**Republic of Korea**

Phone +82-2 786 6321/4  
E-Mail info@sickkorea.net

**Republika Slovenija**

Phone +386 (0)1-47 69 990  
E-Mail office@sick.si

**România**

Phone +40 356 171 120  
E-Mail office@sick.ro

**Russia**

Phone +7 495 775 05 34  
E-Mail info@sick-automation.ru

**Schweiz**

Phone +41 41 619 29 39  
E-Mail contact@sick.ch

**Singapore**

Phone +65 6744 3732  
E-Mail admin@sicksgp.com.sg

**Suomi**

Phone +358-9-25 15 800  
E-Mail sick@sick.fi

**Sverige**

Phone +46 10 110 10 00  
E-Mail info@sick.se

**Taiwan**

Phone +886 2 2375-6288  
E-Mail sales@sick.com.tw

**Türkiye**

Phone +90 216 587 74 00  
E-Mail info@sick.com.tr

**United Arab Emirates**

Phone +971 4 8865 878  
E-Mail info@sick.ae

**USA/Canada/México**

Phone +1(952) 941-6780  
1 800-325-7425 – tollfree  
E-Mail info@sickusa.com

More representatives and agencies  
in all major industrial nations at  
[www.sick.com](http://www.sick.com)