



Fotoprzełączniki
G6, Fotoprzełącznik refleksyjny, Standard optics

GL6-N6212



Nazwa modelu > **GL6-N6212**

Numer cz ci > **1062588**



Produkt mo e ró ni
si od ilustracji

At a glance

- PinPoint LED for a bright, precise light spot
- Durable metal threaded inserts
- SICK ASIC technology - the result of decades of experience in photoelectric sensors
- Large, user-friendly potentiometer
- Large, bright indicator LEDs
- Adjustable receiver sensitivity via 270° turn potentiometer
- IP 67 enclosure rating

Your benefits

- Easy alignment and precise object detection due to a highly visible PinPoint LED
- Quick and easy mounting and high durability due to threaded metal inserts
- SICK ASIC technology provides high performance, excellent reliability and crosstalk immunity
- Easy to adjust due to large, user-friendly potentiometers
- Easy to monitor due to large, bright indicator LEDs
- Easy installation with SICK accessories
- Detection of critical surfaces and shiny objects



Cechy

Zasada działania czujnika/Sposób detekcji:	Fotoprzekaźnik refleksyjny, Standard optics
Wymiary (Szer. x Wys. x Głęb.):	12 mm x 31,5 mm x 21 mm
Housing design (light emission):	Prostopadłościenna
Maks. strefa działania:	≤ 6 m ¹⁾
Strefa działania:	≤ 5 m ²⁾
Rodzaj światła:	Widzialne światło czerwone
Nadajnik światła:	Pin Point LED ³⁾
Nastawa:	Potentiometer, 270°
Średnica plamki świetlnej (odległość):	Ø 8 mm (350 mm)

1) 2) PL80A 3) Average service life of 100,000 h at T_A = +25 °C

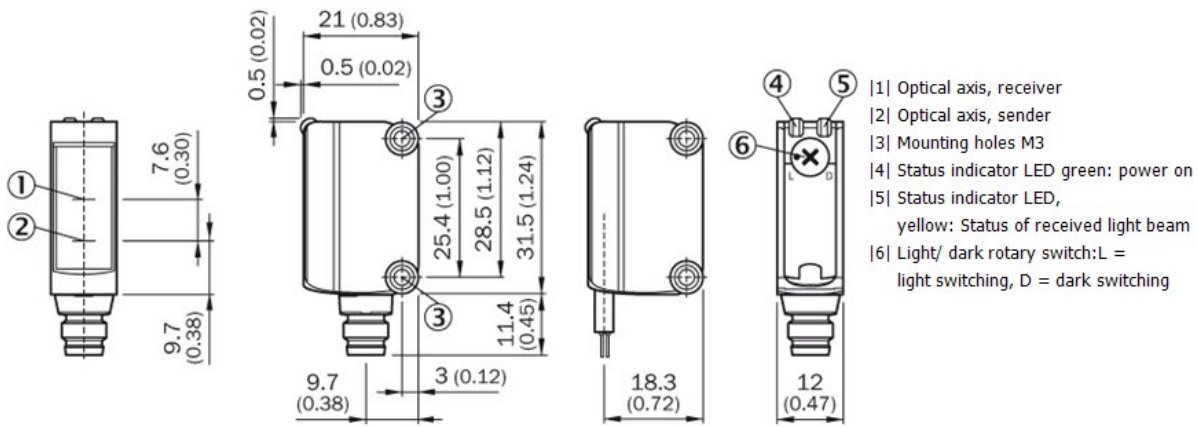
Mechanika/elektronika

Napięcie zasilania:	10 V DC ... 30 V DC ¹⁾
Tętnienia resztkowe:	± 10 % ²⁾
Pobór prądu:	≤ 30 mA ³⁾

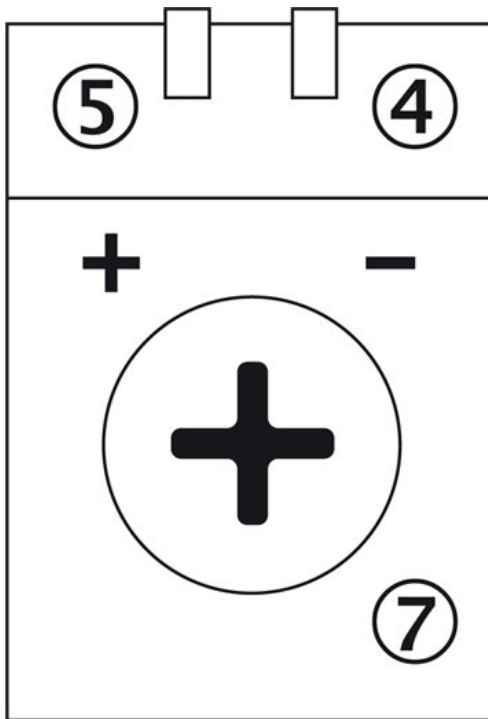
Wyjście przełączające:	NPN
Tryb przełączania:	Przełączanie jasno/ciemno, wybierane
Switching mode selector:	Selectable via light/dark selector
Output current I _{max} :	≤ 100 mA ⁴⁾
Czas reakcji:	< 625 μs ⁵⁾
Switching frequency:	1.000 Hz ⁶⁾
Sposób przyłączenia:	Cable with connector M8, 4-pin, 300 mm
Cable material:	PVC
Układ zabezpieczenia:::	A, B, D ^{7) 8) 9)}
Klasa ochronności:	III
Ciężar:	50 g
Filtr polaryzacyjny:	✓
AS-Interface-Chip:	-
Tworzywo, obudowa:	ABS/PC, Tworzywo sztuczne
Tworzywo, układ optyczny:	PMMA
Rodzaj zabezpieczenia:	IP 67
Dostawa:	Stainless steel mounting bracket (1.4301/304) BEF-W100-A, Reflector P250
Ambient operating temperature:	-25 °C ... +55 °C ¹⁰⁾
Ambient storage temperature:	-40 °C ... +70 °C
UL File No.:	NRKH.E348498 & NRKH7.E348498
Napięcie sygnału PNP HIGH/LOW:	VS - (≤3 V)/approx. 0 V

¹⁾ Limit values, operation in short-circuit protected network max. 8 A
²⁾ May not exceed or fall short of V_S tolerances
³⁾ Bez obciążenia
⁴⁾ At V_s > 24 V, I_A max = 50 mA
⁵⁾ Signal transit time with resistive load
⁶⁾ With light/dark ratio 1:1
⁷⁾ A = V_S connections reverse-polarity protected
⁸⁾ B = inputs and output reverse-polarity protected
⁹⁾ D = outputs overcurrent and short-circuit protected
¹⁰⁾ Temperature stability after adjustment +/-10°C

Rysunek techniczny

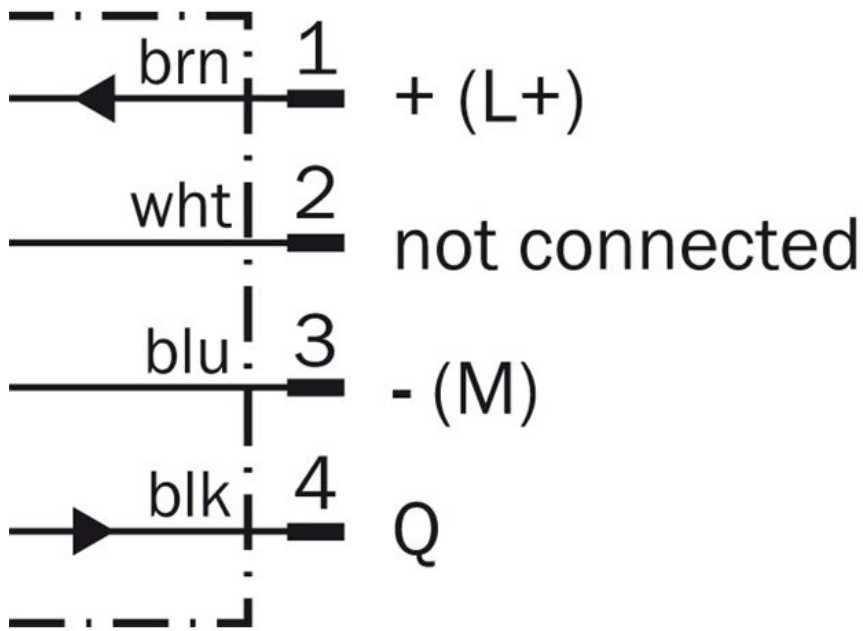


Adjustments possible



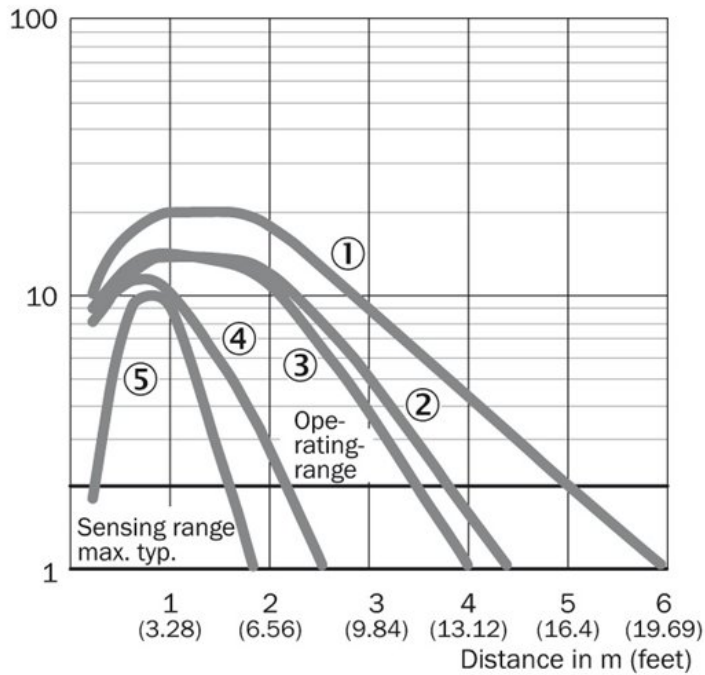
- [4] Status indicator LED green: power on
- [5] Status indicator LED, yellow: Status of received light beam
- [7] Sensitivity adjustment: poti

Connection diagram



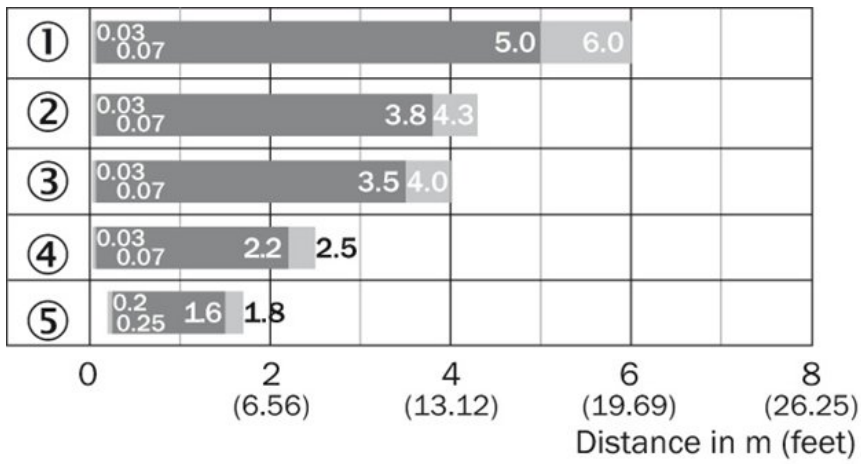
Characteristic curve

Operating reserve



- [1] PL80A
- [2] PL40A
- [3] P250
- [4] PL20A
- [5] REF-IRF-56

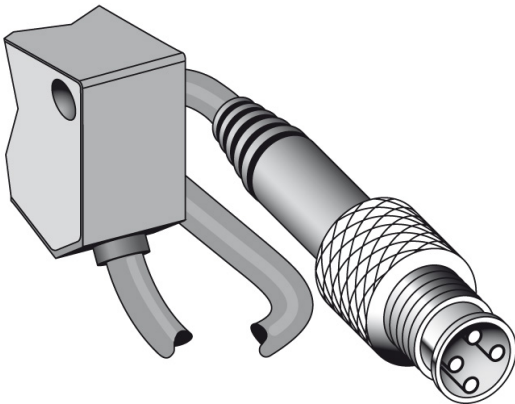
Sensing range diagram



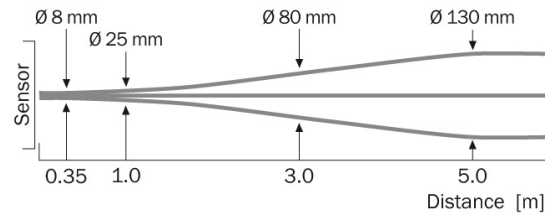
- |1| PL80A
- |2| PL40A
- |3| P250
- |4| PL20A
- |5| REF-IRF-56

■ Sensing range ■ Sensing range max.

Connection type



Light spot size



Australia

Phone +61 3 9457 0600
1800 334 802 – tollfree
E-Mail sales@sick.com.au

Belgium/Luxembourg

Phone +32 (0)2 466 55 66
E-Mail info@sick.be

Brasil

Phone +55 11 3215-4900
E-Mail sac@sick.com.br

Canada

Phone +1 905 771 14 44
E-Mail information@sick.com

Česká republika

Phone +420 2 57 91 18 50
E-Mail sick@sick.cz

China

Phone +86 4000 121 000
E-Mail info.china@sick.net.cn
Phone +852-2153 6300
E-Mail ghk@sick.com.hk

Danmark

Phone +45 45 82 64 00
E-Mail sick@sick.dk

Deutschland

Phone +49 211 5301-301
E-Mail info@sick.de

España

Phone +34 93 480 31 00
E-Mail info@sick.es

France

Phone +33 1 64 62 35 00
E-Mail info@sick.fr

Great Britain

Phone +44 (0)1727 831121
E-Mail info@sick.co.uk

India

Phone +91-22-4033 8333
E-Mail info@sick-india.com

Israel

Phone +972-4-6801000
E-Mail info@sick-sensors.com

Italia

Phone +39 02 27 43 41
E-Mail info@sick.it

Japan

Phone +81 (0)3 3358 1341
E-Mail support@sick.jp

Magyarország

Phone +36 1 371 2680
E-Mail office@sick.hu

Nederland

Phone +31 (0)30 229 25 44
E-Mail info@sick.nl

Norge

Phone +47 67 81 50 00
E-Mail sick@sick.no

Österreich

Phone +43 (0)22 36 62 28 8-0
E-Mail office@sick.at

Polska

Phone +48 22 837 40 50
E-Mail info@sick.pl

România

Phone +40 356 171 120
E-Mail office@sick.ro

Russia

Phone +7-495-775-05-30
E-Mail info@sick.ru

Schweiz

Phone +41 41 619 29 39
E-Mail contact@sick.ch

Singapore

Phone +65 6744 3732
E-Mail sales.gsg@sick.com

Slovenija

Phone +386 (0)1-47 69 990
E-Mail office@sick.si

South Africa

Phone +27 11 472 3733
E-Mail info@sickautomation.co.za

South Korea

Phone +82 2 786 6321/4
E-Mail info@sickkorea.net

Suomi

Phone +358-9-25 15 800
E-Mail sick@sick.fi

Sverige

Phone +46 10 110 10 00
E-Mail info@sick.se

Taiwan

Phone +886-2-2375-6288
E-Mail sales@sick.com.tw

Türkiye

Phone +90 (216) 528 50 00
E-Mail info@sick.com.tr

United Arab Emirates

Phone +971 (0) 4 8865 878
E-Mail info@sick.ae

USA/México

Phone +1(952) 941-6780
1 800-325-7425 – tollfree
E-Mail info@sickusa.com

More representatives and agencies
at www.sick.com